

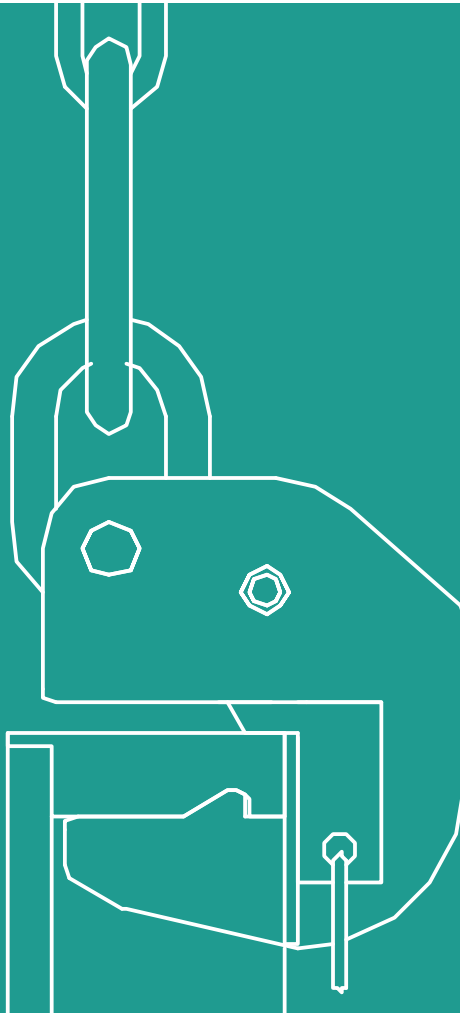


THE FORMWORK

NOE[®] alu L

Crane Hook Operation Instruction

Part. no.
402620



Contents

1. Operating instructions	3
1.1 Product features	3
1.2 Safety notes	3
1.3 Proper use	5
1.4 Using the crane hook bow	6
2. Appendix	10
2.1 EC declaration of conformity	10
2.2 Checking instructions	11

Key:



Caution



Note



Visual inspection

1. Operating instructions

1.1 Product features

NOEalu L crane hook

Part No. 402620
Load capacity 1,000 kg
Year of manufacture 20 . .

 **Load suspension equipment
acc. to BGR 500 (VBG 9a)
(Germany)**

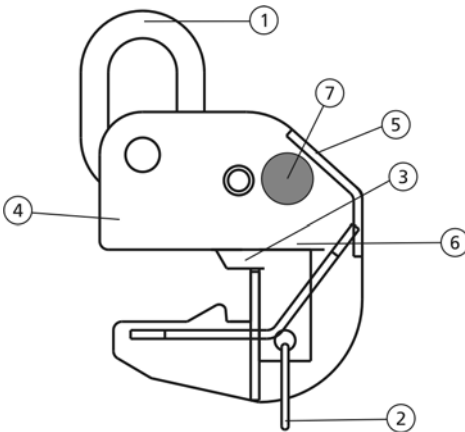


Figure 1

- 1 Crane eye
- 2 Actuating lever
- 3 Safety latch
- 4 Housing
- 5 Type plate
- 6 Spring
- 7 Test badge

1.2 Safety notes

 **Safety notes for operating
load suspension equipment
in accordance with accident
prevention regulation BGR 500
(VBG 9a) (Germany)**

1. When using the NOEalu L crane hook, the provisions of the operating instructions must be observed.
2. The contractor must ensure that the operating instructions supplied by NOE are available in an easily accessible place and can be read at any time.
3. The contractor must only allow the independent use of load-carrying equipment by persons who are familiar with the use of such equipment.
4. The NOEalu L crane hook must not be used in such a way that might endanger the safety of individuals.
5. The NOEalu L crane hook must not be loaded beyond its rated load capacity (see page 5).
6. Shuttering elements supporting loose parts must not be transported.
7. Loads must be taken up and set down in such a way that they cannot accidentally tilt over, collapse, slide off or roll off.
8. The ropes and chains used must not be tensioned across sharp edges on loads.
9. Steel wire ropes or round steel link chains must not be kinked.
10. Twisted chains must be straightened out before being used to raise a load.

11. Loads must not be set down on the NOEalu L crane hook, due to the risk of damage to the hook bow.
12. When in storage, the NOEalu L crane hook must be protected against weathering and corrosive substances, as these may impair its safety and operational reliability.
13. Persons using the NOEalu L crane hook must keep an eye open for signs of any obvious defects, such as deformation, cracking, breaks or missing markings and notify the contractor should any be found.
14. It is the contractor's responsibility to ensure that NOEalu L crane hooks with defects that may put safety at risk are taken out of circulation.
15. It is the contractor's responsibility to ensure that any necessary repairs to the NOEalu L crane hook are made exclusively by the manufacturer.
16. It is the contractor's responsibility to ensure that the NOEalu L crane hook is only used after it has been inspected and approved by an expert and not until any defects detected have been rectified.
17. It is the contractor's responsibility to ensure that the NOEalu L crane hook is inspected by an expert at intervals of no more than one year, and that the checking procedure is confirmed by means of a check stamp.
18. It is the contractor's responsibility to ensure that the NOEalu L crane hook is submitted to an expert for special inspection following damage or specific events which may affect its load capacity, as well as after repairs.

1.3 Proper use

These operating instructions contain information about the handling and proper use of the NOEalu L crane hook.

The NOEalu L crane hook is a lifting device for moving NOEalu L and NOE*light* formwork elements.



Caution:
The use of this device for handling elements from other shuttering systems is not permitted.

It can be used to lift single NOE formwork elements or adequately stiff linked elements. It can be attached to horizontal shored formwork, either with the front side of the shuttering facing either or downwards.



Caution:
The NOEalu L crane hook must not be used to handle damaged elements and groups of elements that are not linked sufficiently rigidly.

The elements can only be transported when in an upright suspended position.

The transporting of stacks of elements lying one on top of the other is not permitted.

The NOEalu L crane hook can be used in ambient temperatures of
– 20 °C of + 60 °C.

Only use equipment if it is in perfect condition! Damaged NOEalu L crane hooks must be taken out of circulation!

Operating instructions NOEalu L crane hook



Use only original NOE parts as spares.

Furthermore, the latest version of the relevant national safety regulations must be complied with (e.g. in Germany, the accident prevention regulation BGR 500 (VBG 9a) for load suspension equipment used for lifting).



Caution:
It is strictly forbidden to transport persons on the load or to pass underneath the suspended load!

1.4 Using the NOEalu L crane hook

1. Type plate

The labelling on the type plate (see Figure 2) complies with BGR 500 (VBG 9a, Chapter 2.8, § 3.4))



Figure 2



Caution:
The NOEalu L crane hook must not be used if the type plate is missing, illegible or incomplete. A new plate may only be affixed by NOE.

2. Test badge



Caution:
The NOEalu L crane hook must not be used if the test badge is missing or illegible. The hook must be resubmitted for testing in order that a new badge can be issued.

3. Load capacity T

	∠	T
	90°	1,0 t
	60°	1,0 t
	45°	0,7 t

Figure 4



The maximum permissible load is 0.7 – 1.0 t, depending on the actual angle of the suspension gear according to Figure 4.

Operating instructions NOEalu L crane hook



4. Attaching the NOEalu L crane hook

Push the crane hook bow over the NOEalu L / NOElight profile as shown in Figure 5 until it lies in full contact on the profile (1). This should cause the coog to engage automatically with the recess in the profile (2).



Caution:
The safety lever (1) must engage on the profile (Figure 5).

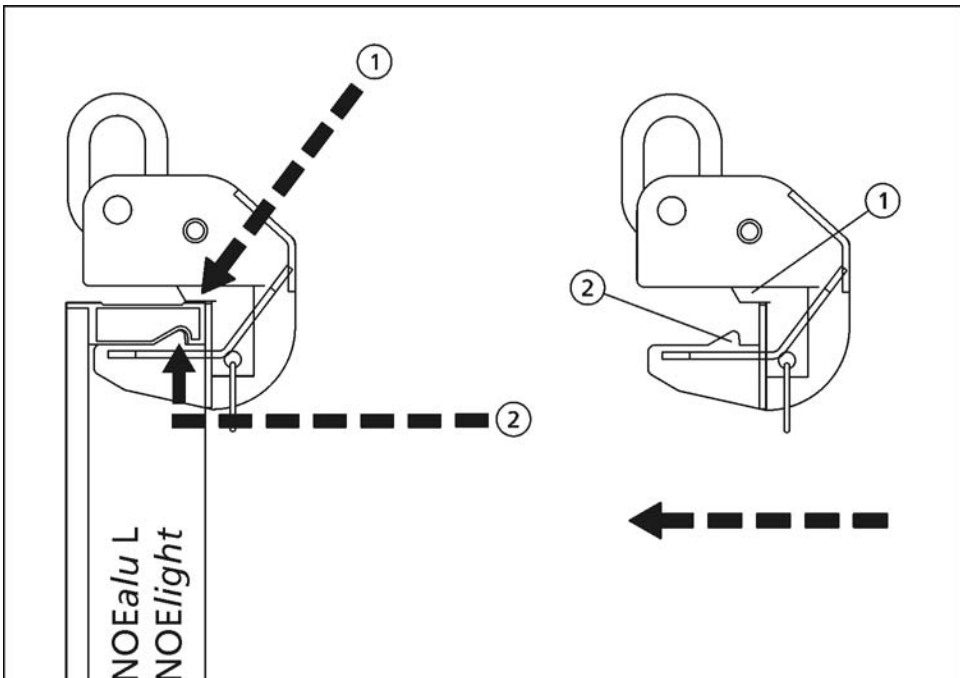


Caution:
The crane must not be used to release shuttering elements from concrete!

Otherwise the NOEalu L crane hook could be overloaded and lead to the elements coming away from the concrete at an angle and uncontrollable movement of the formwork elements.

This is an acutely dangerous situation!

Figure 5



Operating instructions NOEalu L crane hook



The use of the NOEalu L crane hook to transport NOE shuttering elements is subject to the following safety notes:

Only use suspension gear with sling chains.

The sling chains must be able to move freely in the suspension element. Use only hooks with a safety device to prevent accidental disengaging.

When transporting individual panels, the crane suspension point must always be positioned centrally on the panel as shown in Figure 6.

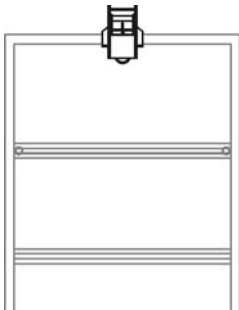


Figure 6

When transporting more than one panel, the crane suspension point must always be positioned at butt joints between panels as shown in Figure 7.

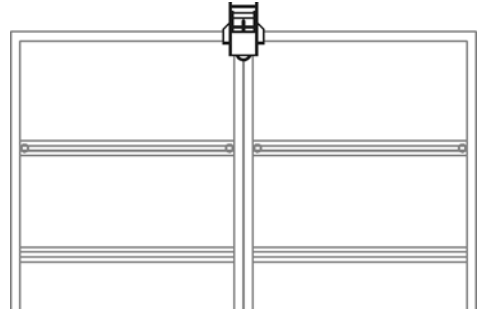


Figure 7

Max. 5 panels can be lifted with 2 crane hook bows.

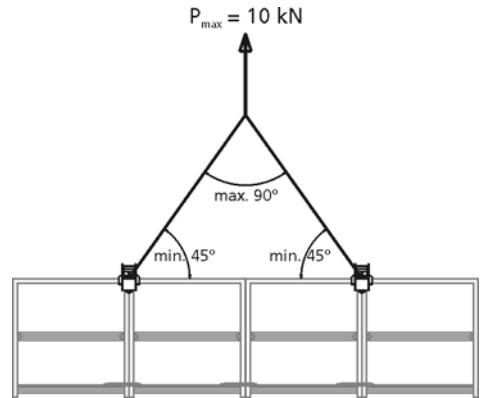


Figure 8



Caution:

When transporting several panels linked together, the suspension points must lie on panel butt joints. This is intended to prevent the NOEalu L crane hook from sliding sideways. Furthermore, the 2 separate NOEalu L crane hooks must be attached symmetrically in relation to the centre of gravity of the load!



Caution:

Never set down the load suddenly.



Caution:

Set the load down in such a way that the safety lever (1) (see page 6) cannot strike against or the NOEalu L crane hook come to rest on an obstruction!

**5. Removing the
NOEalu L crane hook**



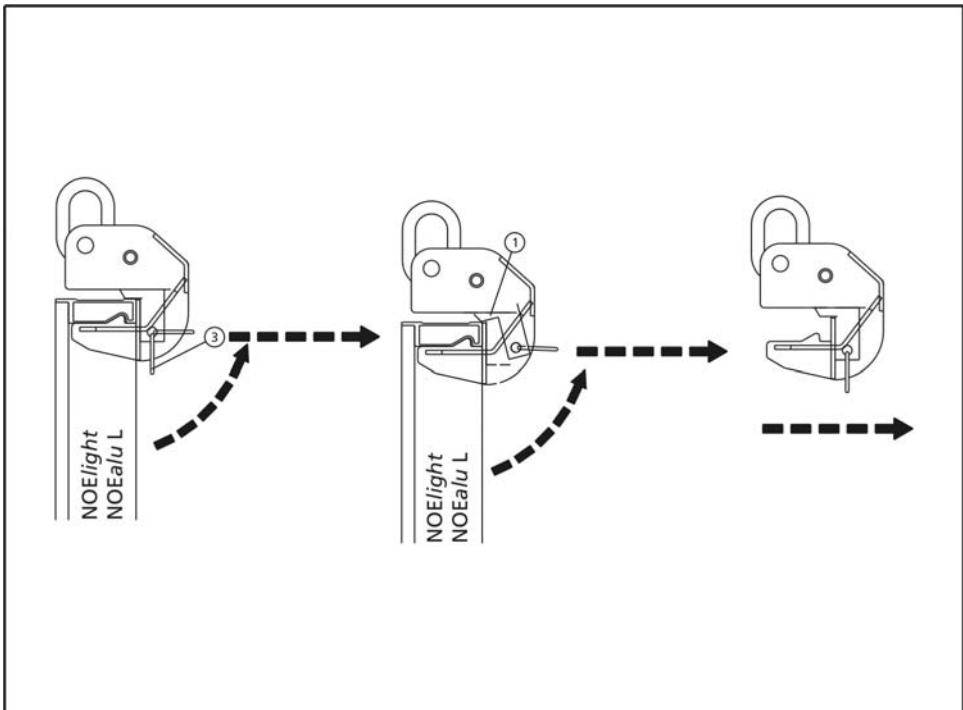
Caution:
**Before releasing the NOEalu
L crane hook, always ensure
that the shuttering elements are
resting and supported in a
sufficiently stable manner.**

**Elements that are not adequately
secured could fall over when the
crane hook bow is released and
cause serious injury.**

The removal of the NOEalu L crane hook is carried out as follows: Lift up the ring (3) (Figure 9) on the safety lever (1).

Pull the ring (3) back to cause the safety lever to pivot upwards; then remove the crane hook bow (Figure 9) by pulling it back off the profile.

Figure 9



2. Appendix

2.1 EC declaration of conformity

Declaration of conformity (translated from German)

NOE-Schaltechnik
Kuntzestraße 72
73079 Süssen, Germany

EC declaration of conformity
in accordance with the EC Machinery Directive 98/37/EC Appendix II A

We hereby declare that the following product conforms to the relevant fundamental safety and health requirements of the EC Directive on the basis of its design and type, and in the version brought into circulation by us.

Any modifications made to the product without our approval render this declaration invalid.

NOEalu L crane hook, Part No. 402620

Directives applied:

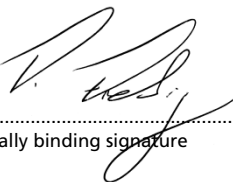
EC Machinery Directive 98/37/EC

Harmonised standards applied:

DIN 1055, DIN 4421, DIN 18800, DIN 15429, DIN 685 Part 5, BGR 500 (VBG 9a)
(Germany)

Süssen, 01 April 2006

Place, date



Legally binding signature

Techn. Manager, Dipl.-Ing.

About the signatory

2.2 Checks and maintenance

General

When checking the NOEalu L crane hook, the relevant paragraphs of the latest version of accident prevention regulation BGR 500 (Germany) for "Load suspension equipment used for lifting (VBG 9a)" must be observed.

Of particular importance are Sections 2.8 3.15.1 "Inspection prior to first use" and 3.15.2 "Scheduled inspections" as well as 3.15.3 "Extraordinary inspections" (each of these inspections must be carried out by an expert).

DIN 685 Part 5 "Round steel link chains" (Utilisation) also applies.

1. Scope

These checking instructions apply for regular repeated checks, or checking after specific events, of the following load suspension equipment manufactured and sold or hired out by NOE-Schaltechnik:

Description	NOEalu L crane hook
Part No.	402620
Load capacity	700-1,000 kg

2. Purpose

The regular repeated checking of the load suspension equipment assures its operational safety and reliability and excludes any potential risk of accidents.

The inspections must be carried out at regular intervals (in Germany at least every 12 months).

Depending on the operating conditions, it may be necessary to perform inspections more frequently.

3. Scope of checks

Inspection prior to first use acc. to BGR 500 (VBG 9a) (Germany) largely comprises a visual inspection and functional check.

The condition of the component and its functional reliability are checked.



Visual inspection:

- **Wear or corrosion.**
- **Are any parts missing?**
- **Cracking of weld seams and component parts**
- **Dimensional changes in the load suspension equipment**
- **Mechanical damage**
- **Check distances on Figures 10 and 11**
- **And BGR 500 3.15.4 Scope of checks (Germany)**

Functional check:

- **Free movement of latch**
- **Unobstructed movement of moving parts**
- **Attachment of the crane hook bow on to a NOEalu L or NOElight element**
- **Spring for safety lever**

4. Maintenance

The free movement of the retaining bolt must be assured. Any and all evidence of soiling on the NOEalu L crane hook which may impair its function (residual concrete, etc.) must be removed.



Any repairs may only be carried out by the manufacturer.

5. Responsibility

The contractor (or a designated safety consultant) is responsible for ensuring that the load suspension equipment undergoes regular repeated safety checks as per specification. Safety checks on this load suspension equipment may only be performed by trained personnel (in Germany: an expert in accordance with BGR 500 (VBG 9a) §39).

Figure 10

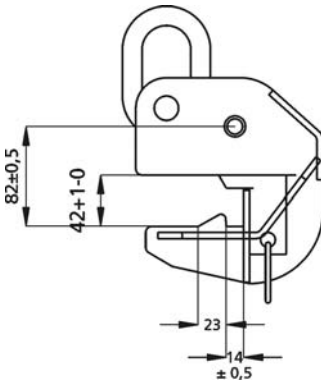
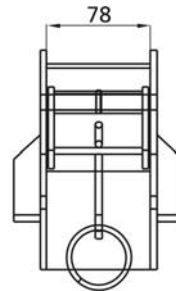


Figure 11





THE FORMWORK

NOE-Schaltechnik

Georg Meyer-Keller GmbH + Co. KG
Kuntzestr. 72, 73079 Suessen, Germany
Tel. +49 7162 13-1, Fax +49 7162 13-288
info@noe.de
www.noe.de, www.noeplast.com

Austria

NOE-Schaltechnik
www.noe-schaltechnik.at
noe@noe-schaltechnik.at

Belgium

NOE-Bekistingtechniek n.v.
www.noe.be
info@noe.be

Brasil

Mills do Brasil
Estruturas e Serviços Ltda
www.mills.com.br
millsbr@cepa.com.br

Bulgaria

NOE-Schaltechnik
www.noebg.com
noe-bg@netbg.com

Croatia

NOE oplatna tehnika d.o.o.
www.noe.hr
noe@noe.hr

Czech Republic

ISD-NOE
www.isd-noe.cz
zdaril@isd-noe.cz

France

NOE-France
www.noe-france.fr
info@noe-france.fr

Malaysia

ICS-NOE ASIA SDN-BHD
www.noeasia.com
info@noeasia.com

Netherlands

NOE-Bekistingtechniek b.v.
www.noe.nl
info@noe.nl

Poland

NOE-PL Sp. Zo.o.
www.noe.com.pl
noe@noe.com.pl

Russia

NOE St. Petersburg
noe@sovintel.ru

Serbia

NOE Sistemske Oplate d.o.o.
www.noe-scg.com
noe-scg@eunet.yu

Slovakia

ISD-NOE
www.isd-noe.sk
info@isd-noe.sk

Switzerland

NOE-Schaltechnik
www.noe.ch
info@noe.ch

USA

NOE USA
www.noe-formwork.com
info@noe.de